

BRTN Series

三轴/五轴伺服横走式机械手 Three-axis / Five-axis AC Servo Traversing Robot-Telescopic Type

产品特点 Product Features

BRTN系列机械手臂用于650T-3200T的各型塑胶射出成型机，三轴AC伺服驱动。取出速度快、调整夹具方便，寿命长、故障低。取出时间最少2.5sec，最大荷重50公斤（含成品与治具）。主要应用于快速取出或是复杂的取出应用，特别是长形状的产品如汽车产品，洗衣机家电产品等。

华成三/五轴专用CANOPEN总线通讯方式：

信号线少，远距离通讯，扩展性能好，抗干扰能力强，重复定位精度高，可以同时控制多轴，设备维护简单，故障率低。

BRTN Series is applicable to all types of horizontal injection machine ranges of 650T-3200T for take-out products and sprues, Three-axis driven by AC servo motor, take-out at super high-speed at most 2.5sec. Easy for E-O-A-T adjustment, long using life and low failure rate, applicable to take-out products with short forming cycle or complex automatic, such as auto products, washing machine and household appliance products take-out.

HC three-axis/five axis CANOPEN connecting way:

Less connecting line, long distance communication, good expansibility, strong anti-interference ability, high repeat precision, can simultaneously control multi axis, simple equipment maintenance, low failure rate.

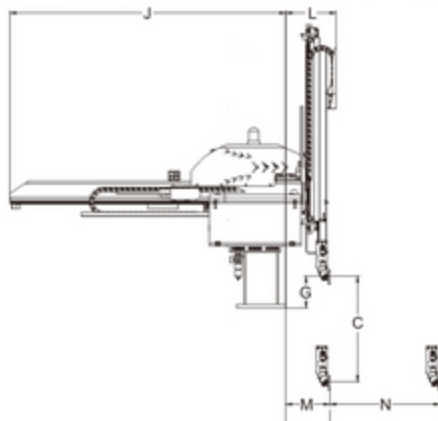
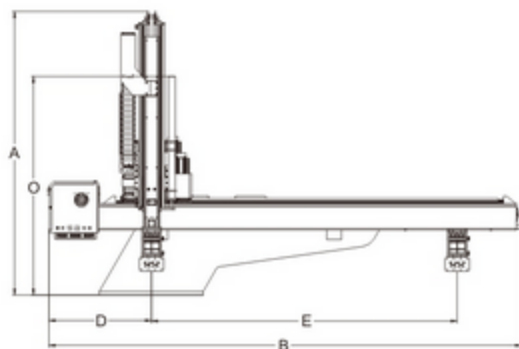


主要规格 Main Specification

机型 Model	电源容量 (KVA) Power Source	适用成型机 (ton) Recommended M.M	横行行程 (mm) Traverse Stroke	驱动方式 Traverse Driven	引拔行程 (mm) Crosswise Stroke	上下行程 (mm) Vertical Stroke	最大荷载 (kg) Max. Loading	取出时间 (sec) Dry Take Out Time	全循环时间 (sec) Dry Cycle Time	空气消耗量 (lit/cycle) Air Consumption	净重 (KG) Net Weight
BRTN15 WSS3/S5PC	3.2/4.2	650T-800T	2200	AC 伺服马达 AC Servo motor	1070	1500	15	5.1	15.92	10	805
BRTN18 WSS3/S5PC	4.3/5.4	800T-1300T	2500		1520	1800	20	5.3	16.32	18	1430
BRTN22 WSS3/S5PC	4.3/6.2	1300T-1800T	3000		1800	2200	30	6.0	17.89	25	1600
BRTN26 WSS3/S5PC	5.5/7.4	1800T-2400T	3500		2200	2600	40	8.0	29.23	34	2200
BRTN30 WSS3/S5PC	5.5/7.4	2400T-3200T	4000		2500	3000	50	10.0	39.84	47	2450

机型表示: W: 双截式 S: 单臂机械手(成品臂) S3: 三轴AC伺服马达驱动(成品臂上下、引拔+横行) 选型: S5: 五轴AC伺服马达驱动(成品臂上下+AC轴、引拔、横行)

Denote: W: Telescopic type. S: Product arm. S3: Three-axis driven by AC Servo Motor(Traverse-axis, Vertical-axis + Crosswise-axis). S5: Five-axis driven by AC Servo Motor(Vertical-axis and AC-axis, Crosswise-axis, Traverse-axis)



Model	A	B	C	D	E	F	G	H	J	I	K	L	M	N	O
BRTN15WSS3/S5PC	1910	3400	1500	580	2200	/	180	/	1640	/	/	465	450	1070	/
BRTN18WSS3/S5PC	2330	3585	1800		2500	/	105	/	2258	/	/	415	362	1520	1640
BRTN22WSS3/S5PC	2530	4125	2200		3000	/	110	/	2416	/	/	515	462	1800	1840
BRTN26WSS3/S5PC	2730	4650	2600		3500	/	80	/	2832	/	/	540	550	2200	2040
BRTN30WSS3/S5PC	2930	5125	3000		4000	/		/	3132	/	/				