

BRTIRXZ Series

六轴协作机器人 Six-axis Robot

产品特点 Product Features

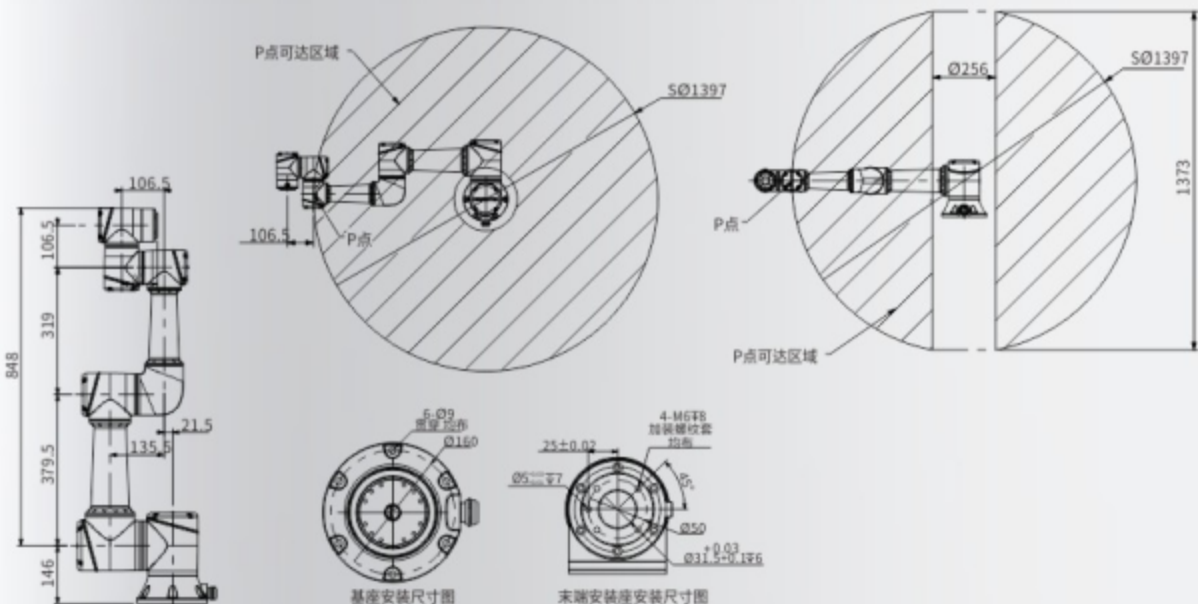
BRTIRXZ0805A是伯朗特自主研发的一款带拖动示教功能的六轴协作机器人，其最大负载为5KG,最大臂展可达805mm。具有碰撞检测、轨迹复现等功能。同时具有安全高效、智能易用、灵活轻巧、经济可靠和低功耗等特点，大大满足客户对人机协作方面的需求。其高灵活性和快响应性可适用于高密度的柔性化生产线，满足产品包装、注塑、上下料、装配等作业需要，尤其对协同作业的应用需求，更是出类拔萃。

BRTIRXZ0805A is a six-axis cooperative robot with drag-teaching function independently developed by BORUNTE, with a maximum load of 5KG and a maximum arm length of 805mm. It has the functions of collision detection and track reproduction. At the same time, it is safe and efficient, intelligent and easy to use, flexible and light, economical and reliable, low power consumption and other characteristics, which greatly meet the needs of customers in man-machine cooperation. Its high sensitivity and quick response can be applied to high density flexible production line, to meet the needs of product packaging, injection molding, loading and unloading, assembly and other operations, especially for man-machine collaborative work application demand, is outstanding.



主要规格 Main Specification

| 产品型号 Model | 项目 Item | 手臂 Arm | | | 手腕 Wrist | | | 臂展 Arm Length | 负载 Loading ability | 重复定位精度 Repeatability | 电源容量 Power Source | 本体重量 NetWeight |
|---------------|-------------------------|-----------------|--------|------------------|----------------|--------|----------------|------------------|-----------------------|-------------------------|----------------------|-------------------|
| | | J1 | J2 | J3 | J4 | J5 | J6 | | | | | |
| BRTIRXZ0805A | 臂展 Arm Length(mm) | 地面-2轴距 146mm | | 2-3轴距 379.5mm | 3-4轴距 319mm | | 5轴-端面距 90mm | 805mm | 5KG | ±0.03mm | 2.4KVA | 约22KG |
| | 范围 Range(°) | ±180° | ±160° | ±160° | ±160° | ±180° | ±360° | | | | | |
| | 最大速度 Max. Speed(#/s) | 120°/S | 120°/S | 180°/S | 180°/S | 180°/S | 180°/S | | | | | |



因改良等原因，规格及外观有所变更时，不再另行通知，敬请谅解。

Without further notice if specification and exterior have been changed because of improvement. Thanks for your understanding.