

BRTIRWD Series

六自由度工业机器人 Six Axis Industrial Robot

产品特点 Product Features

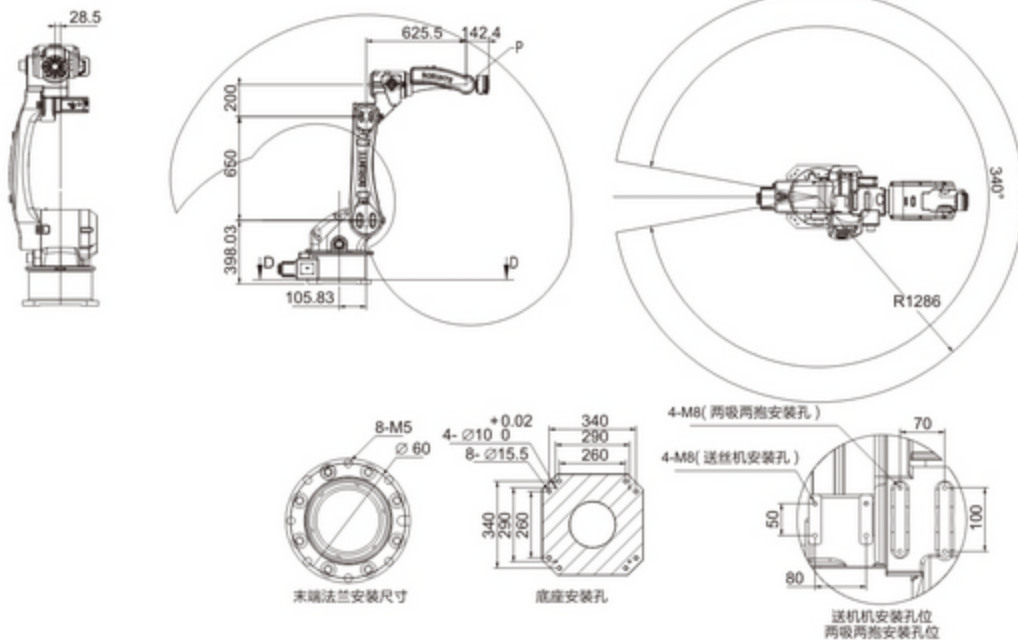
BRTIRWD1506A 是广东伯朗特智能装备股份有限公司针对焊接应用行业开发的六轴机器人。机器人结构紧凑、体积小、重量轻、最大负载 6KG、臂展 1500mm。腕部采用中空结构，走线更方便、动作更灵活。防护等级高—IP54，防尘防水。精度高—重复定位精度 0.06mm

BRTIRWD1506A six axis industrial robot is Guangdong Bo Langte Intelligent Equipment Co., Ltd designed for the development of the welding application industry. The robot has compact structure, small volume and light weight. The maximum load is 6KG, the maximum arm length is 1500mm. The wrist applies hollow structure with more convenient trace and flexible action. The protection grade reaches IP54. The repeatability is 0.06mm.



主要规格 Main Specification

产品型号 Model	项目 Item	手臂 Arm			手腕 Wrist			臂展 Arm Length	负载 Loading ability	重复定位精度 Repeatability	电源容量 Power Source	本体重量 Net Weight
		J1	J2	J3	J4	J5	J6					
BRTIRWD1506A	臂展 Arm Length (mm)	地面~2轴距 398.03mm		2-3轴距 650mm		3-5轴距 625.5mm	5轴-端面距 142.4mm	1500mm	6KG	0.06mm	3.25KVA	约175KG
	范围 Range (°)	±165°	-90°/+65°	-85°/+140°	±150°	±110°	±360°					
	最大速度 Max. Speed (°/S)	148°/S	147°/S	147°/S	85°/S	260°/S	300°/S					



因改良等原因，规格及外观有所变更时，不再另行通知，敬请谅解。

Without further notice if specification and exterior have been changed because of improvement. Thanks for your understanding.