

# BRTIRUS Series

## 六自由度工业机器人 Six Axis Industrial Robot

### 产品特点 Product Features

BRTIRUS2550A是广东伯朗特智能装备股份有限公司针对多自由度的复杂应用而开发的一款六轴工业机器人，其拥有2550mm超长臂展，最大负载可达50kg。六个自由度的灵活性对上下料、装配、注塑等场景能够应对自如。

防护等级高——IP 54，防尘防水

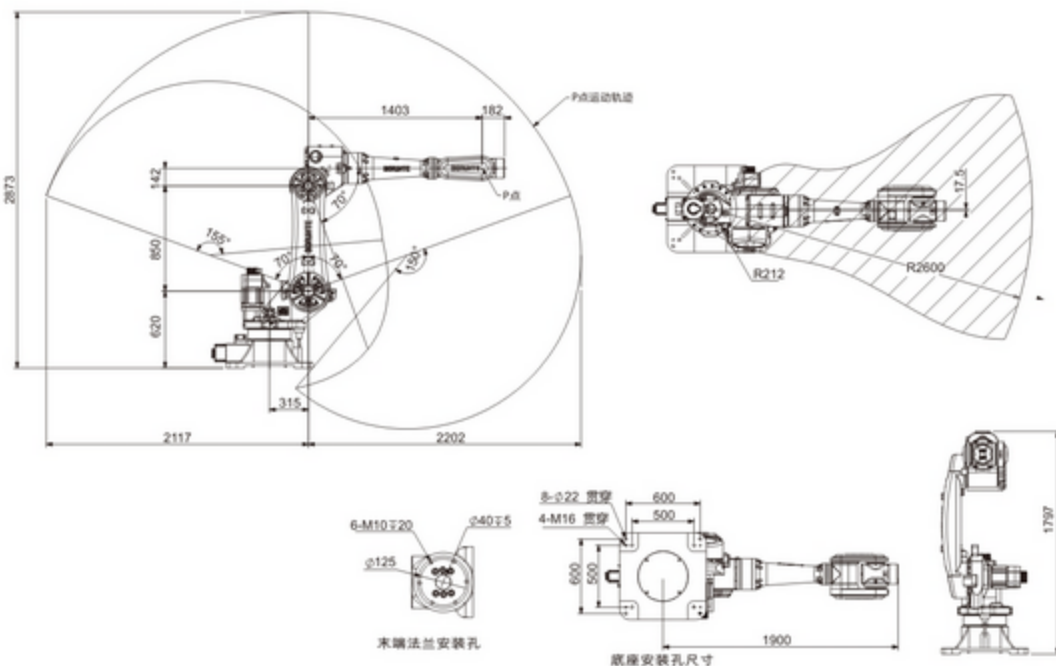
精度高——重复定位精度0.2 mm

BRTIRUS2550A type robot is a six axis robot that developed for some monotonous, frequent and repetitive long-term operations or operations in dangerous and harsh environments. The maximum arm length is 2500mm. The maximum load is 50KG. Suitable for loading and unloading, assembling, molding,stacking etc. The protection grade reaches IP54. The repeat positioning accuracy is 0.2mm.



### 主要规格 Main Specification

产品型号 Model	项目 Item	手臂 Arm			手腕 Wrist			臂展 Arm Length	负载 Loading ability	重复定位精度 Repeatability	电源容量 Power Source	本体重量 Net Weight
		J1	J2	J3	J4	J5	J6					
BRTIRUS2550A	臂展 Arm Length (mm)	地面~2轴距 620mm		2-3轴距 850mm		3-5轴距 1403mm	5轴-末端距 182mm	2550mm	50KG	0.2mm	16.7KVA	约610KG
	范围 Range (°)	±165°	±70°	-70°/+90°	±180°	±125°	±360°					
	最大速度 Max. Speed (°/s)	126°/S	105°/S	105°/S	324°/S	300°/S	300°/S					



因改良等原因，规格及外观有所变更时，不再另行通知，敬请谅解。

Without further notice if specification and exterior have been changed because of improvement.Thanks for your understanding.