

BRTIRUS Series

六轴机器人 Six-axis Robot

产品特点 Product Features

BRTIRUS2520B是伯朗特机器人股份有限公司针对某些单调、频繁和重复的长时间作业，或是危险、恶劣环境下的作业等而开发的一款六轴通用工业机器人，其拥有2570mm臂展，最大负载可达200kg。多自由度的灵活性对上下料、搬运、码垛等场景能够应对自如。

防护等级高—IP54，防尘防水

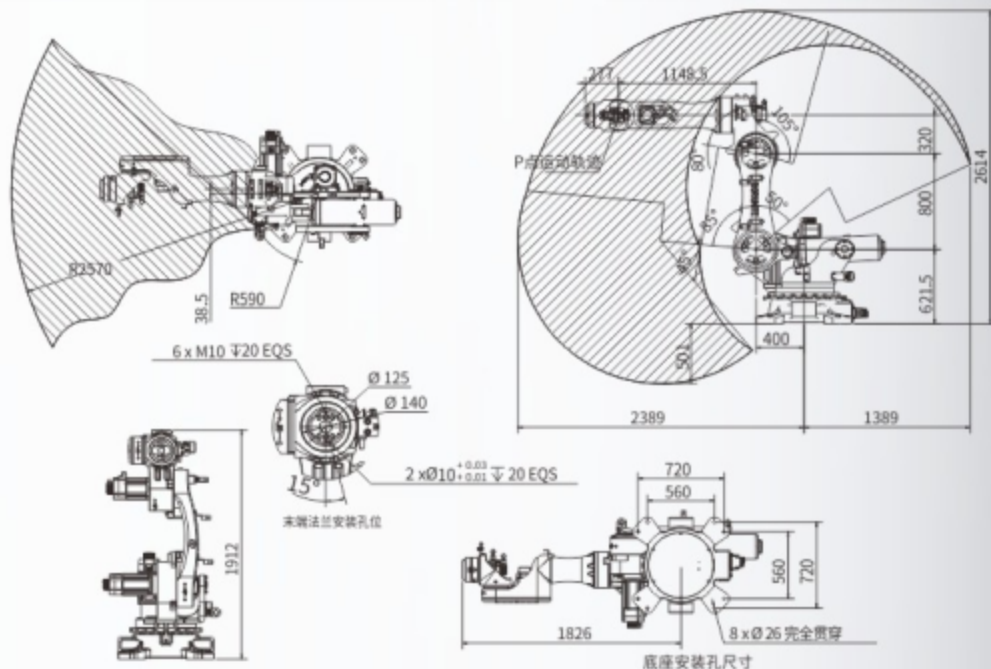
精度高—重复定位精度±0.2mm

BRTIRUS2520B type robot is a six axis robot that developed for some monotonous, frequent and repetitive long-term operations or operations in dangerous and harsh environments. The maximum arm length is 2500mm. The maximum load is 200KG. Suitable for loading and unloading, assembling, molding, stacking etc. The protection grade reaches IP54. The repeat positioning accuracy is ±0.2mm.



主要规格 Main Specification

产品型号 Model	项目 Item	手臂 Arm			手腕 Wrist			臂展 Arm Length	负载 Loading ability	重复定位精度 Repeatability	电源容量 Power Source	本体重量 Net Weight
		J1	J2	J3	J4	J5	J6					
BRTIRUS2520B	臂展 Arm Length(mm)			2-3轴距 800mm	3-4轴距 320mm	3-5轴距 1148.5mm	5轴-端面距 277mm	2570mm	200KG	±0.2mm	25.4KVA	约1320KG
	范围 Range(°)	±160°	-85°→+50°	-80°→+105°	±180°	±95°	±360°					
	最大速度 Max. Speed(°/s)	71°/S	70°/S	70°/S	105°/S	112°/S	148°/S					



因改良等原因，规格及外观有所变更时，不再另行通知，敬请谅解。

Without further notice if specification and exterior have been changed because of improvement. Thanks for your understanding.