

# BRTIRUS Series

## 六自由度工业机器人 Six Axis Industrial Robot

### 产品特点 Product Features

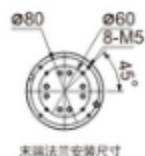
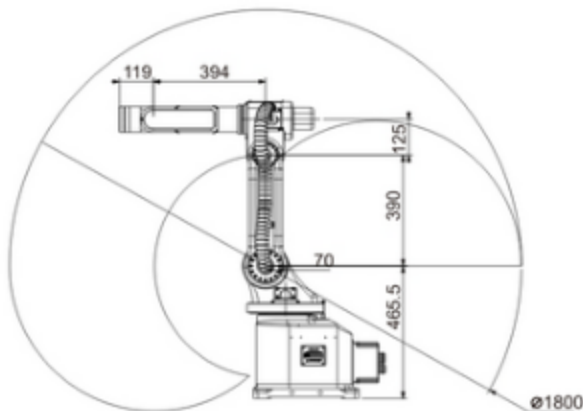
BRTIRUS0805A型机器人是伯朗特机器人第三代，整个系统操作简单、结构紧凑、定位精度高、动态性能好，其5kg的负载能力尤其适用于注塑、取件、冲压、搬运、上下料、装配等领域，适用于注塑30T-250T。

BRTIRUS0805A type robot is BORUNTE's the third generation of robots. The whole operation system is simple, compact structure, high position accuracy and has good dynamic performance. The load ability is 5kg, especially suitable for molding, picking stamping, forging, handling, loading, assembling, etc.

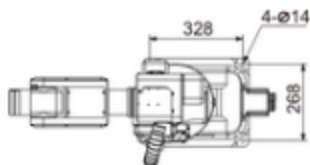


### 主要规格 Main Specification

产品型号 Model	项目 Item	手臂 Arm			手腕 Wrist			臂展 Arm Length	负载 Loading ability	重复定位精度 Repeatability	电源容量 Power Source	本体重量 Net Weight
		J1	J2	J3	J4	J5	J6					
BRTIRUS0805A	臂展 Arm Length (mm)	地面-2轴距 465.5mm		2-3轴距 390mm		3-5轴距 394mm	5轴-端面距 119mm	940mm	5KG	0.05mm	2.8KVA	约65KG
	范围 Range (°)	±180°	-100°/+90°	-80°/+95°	±180°	±120°	±360°					
	最大速度 Max. Speed (R/S)	266°/S	297°/S	300°/S	333°/S	500°/S	500°/S					



末端法兰安装尺寸



底座安装尺寸