

BRTIRSC Series

四轴水平机器人

Selective Compliance Assembly Robot Arm

产品特点 Product Features

BRTIRSC0603A是广东伯朗特智能装备股份有限公司针对某些单调、频繁和重复的长时间作业等而开发的一款水平四轴机器人，其拥有600mm臂展，最大负载可达3kg。多自由度的灵活性主要用于印刷包装、金属加工、轻纺家居、电子装备、等领域。

防护等级高——IP54

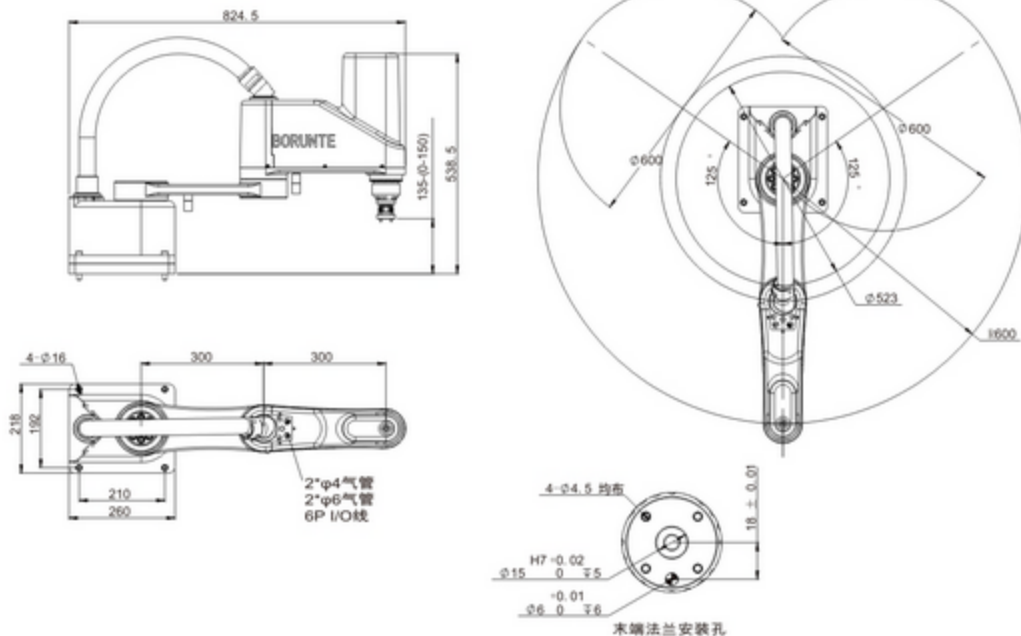
精度高——重复定位精度0.02mm

BRTIRSC0603A type robot is a four axis robot that developed for some monotonous, frequent and repetitive long-term operations. The maximum arm length is 600mm. The maximum load is 3KG. Suitable for printing and packaging, metal processing, textile home furnishing, electronic equipment, and other fields. The protection grade reaches IP54. The repeat positioning accuracy is 0.02mm.



主要规格 Main Specification

产品型号 Model	项目 Item	手臂 Arm			手腕 Wrist	臂展 Arm Length	负载 Loading ability	重复定位精度 Repeatability	电源容量 Power Source	本体重量 Net Weight
		J1	J2	J3	J4					
BRTIRSC0603A	范围 Range (°)	±125°	±125°	0-150mm	±360°	600mm	3KG	0.02mm	0.8KVA	约22KG
	最大速度 Max. Speed (°/s)	480°/s	576°/s	900mm/s	480°/s					



因改良等原因，规格及外观有所变更时，不再另行通知，敬请谅解。

Without further notice if specification and exterior have been changed because of improvement. Thanks for your understanding.