

BRTIRPZ Series

四轴码垛机器人 Four-axis Palletizing Robot

产品特点 Product Features

BRTIRPZ3013A是广东伯朗特智能装备股份有限公司针对某些单调、频繁和重复的长时间作业，或是危险、恶劣环境下的作业等而开发的一款四轴码垛机器人，其拥有3020mm臂展，最大负载可达130kg。多自由度的灵活性对上下料、搬运、拆垛、码垛等场景能够应对自如。

防护等级高——IP54，防尘防水

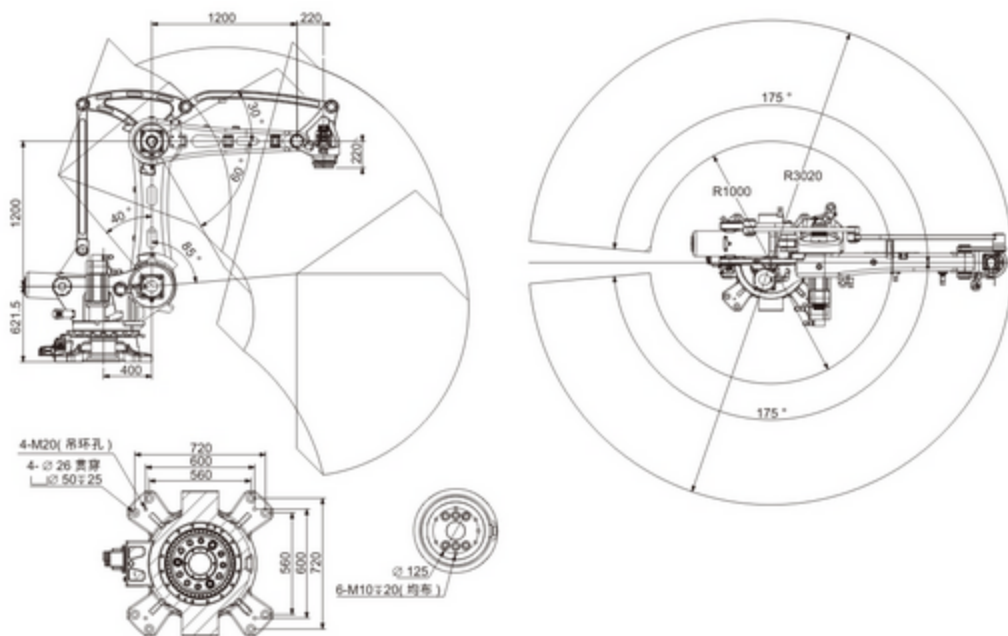
精度高——重复定位精度0.15mm

BRTIRPZ3013A type robot is a stacking robot that developed for some monotonous, frequent and repetitive long-term operations or operations in dangerous and harsh environments. The maximum arm length is 3020mm. The maximum load is 130KG. Suitable for loading and unloading, handling, dismantling and stacking etc. The protection grade reaches IP54. The repeat positioning accuracy is 0.15mm.



主要规格 Main Specification

产品型号 Model	项目 Item	手臂 Arm			手腕 Wrist	臂展 Arm Length	负载 Loading ability	重复定位精度 Repeatability	电源容量 Power Source	本体重量 Net Weight
		J1	J2	J3	J4					
BRTIRPZ3013A	臂展 Arm Length (mm)	地面-2轴距 621.5mm	2-3轴距 1200mm	3-4轴距 1200mm		3020mm	130KG	0.15mm	21KVA	约1200KG
	范围 Range (°)	±175°	-85°/+40°	-60°/+30°	±180°					
	最大速度 Max. Speed (#/s)	57°/S	52°/S	70°/S	148°/S					



因改良等原因，规格及外观有所变更时，不再另行通知，敬请谅解。

Without further notice if specification and exterior have been changed because of improvement. Thanks for your understanding.