

BRTIRPZ Series

四轴码垛机器人 Four-axis Palletizing Robot

产品特点 Product Features

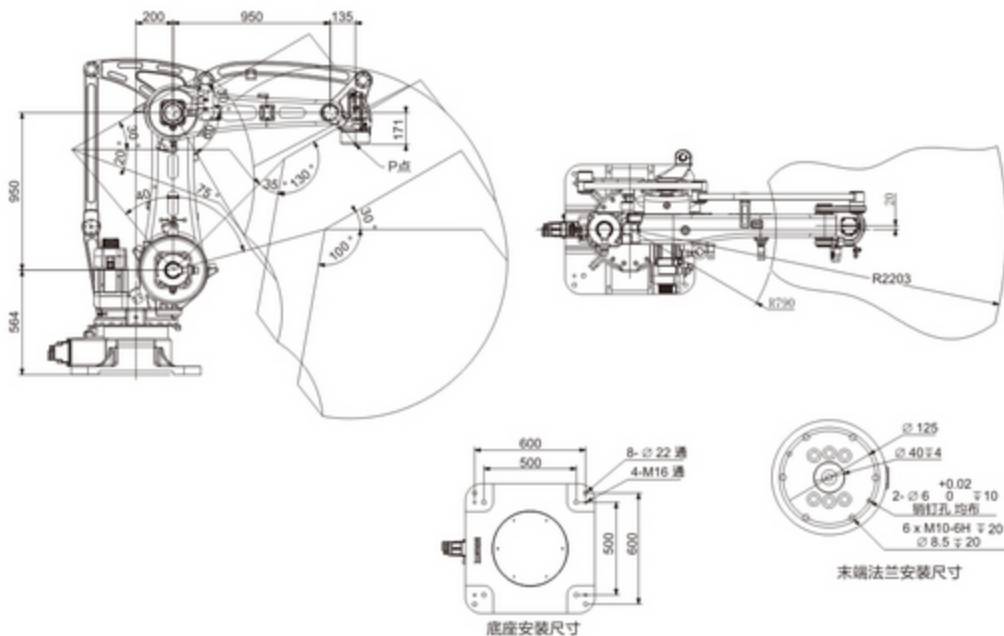
BRTIRPZ2250A是广东伯朗特智能装备股份有限公司针对某些单调、频繁和重复的长时间作业，或是危险、恶劣环境下的作业等而开发的一款四轴码垛机器人，其拥有2200mm臂展，最大负载可达50kg。多自由度的灵活性对上下料、搬运、拆垛、码垛等场景能够应对自如。防护等级高——IP54，防尘防水
精度高——重复定位精度0.1mm

BRTIRPZ2250A type robot is a stacking robot that developed for some monotonous, frequent and repetitive long-term operations or operations in dangerous and harsh environments. The maximum arm length is 2200mm. The maximum load is 50KG. Suitable for loading and unloading, handling, dismantling and stacking etc. The protection grade reaches IP54. The repeat positioning accuracy is 0.1mm.



主要规格 Main Specification

产品型号 Model	项目 Item	手臂 Arm			手腕 Wrist		臂展 Arm Length	负载 Loading ability	重复定位精度 Repeatability	电源容量 Power Source	本体重量 Net Weight
		J1	J2	J3	J4	R34					
BRTIRPZ2250A	臂展 Arm Length (mm)	地面-2轴距 564mm	2-3轴距 950mm	3-4轴距 950mm	4轴-端面距 135mm		2200mm	50KG	0.1mm	14.8KVA	约560KG
	范围 Range (°)	±160°	-65°/+30°	-50°/+25°	±360°	65°~160°					
	最大速度 Max. Speed (°/s)	105°/S	88°/S	135°/S	223°/S						



因改良等原因，规格及外观有所变更时，不再另行通知，敬请谅解。

Without further notice if specification and exterior have been changed because of improvement.Thanks for your understanding.