

# BRTIRPZ Series

## 四轴机器人 Four-axis Robot

### 产品特点 Product Features

BRTIRPZ1825A是伯朗特机器人股份有限公司针对某些单调、频繁和重复的长时间作业，或是危险、恶劣环境下的作业等而开发的一款四轴码垛机器人，其拥有1800mm臂展，最大负载可达25kg。多自由度的灵活性对上下料、搬运、拆垛、码垛等场景能够应对自如。

防护等级高—IP54，防尘防水

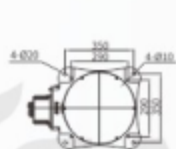
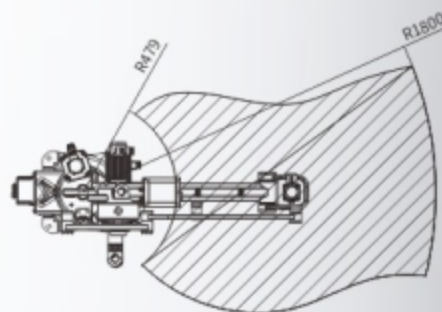
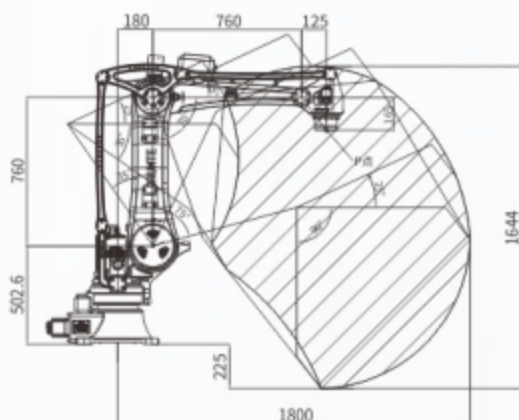
精度高—重复定位精度±0.08mm

BRTIRPZ1825A type robot is a four-axis stacking robot that developed for some monotonous, frequent and repetitive long-term operations or operations in dangerous and harsh environments. The maximum arm length is 1800mm. The maximum load is 25KG. Suitable for loading and unloading, handling, dismantling and stacking etc. The protection grade reaches IP54. The repeat positioning accuracy is ±0.08mm.



### 主要规格 Main Specification

产品型号 Model	项目 Item	手臂 Arm			手腕 Wrist		臂展 Arm Length	负载 Loading ability	重复定位精度 Repeatability	电源容量 Power Source	本体重量 Net Weight
		J1	J2	J3	J4	R34					
BRTIRPZ1825A	臂展 Arm Length(mm)	地面-2轴距 502.6mm		2-3轴距 760mm			1800mm	25KG	±0.08mm	5.2KVA	约256KG
	范围 Range(°)	±160°	-70°/+30°	-65°/+25°	±360°	67°~175°					
	最大速度 Max. Speed(°/s)	175°/S	135°/S	185°/S	300°/S						



因改良等原因，规格及外观有所变更时，不再另行通知，敬请谅解。

Without further notice if specification and exterior have been changed because of improvement. Thanks for your understanding.

世界广告

做有销售力的广告