

BRTIRPC Series

五轴机器人 Five-axis Robot

产品特点 Product Features

BRTIRPC1508A是伯朗特机器人股份有限公司针对某些单调、频繁和重复的长时间作业，或是危险、恶劣环境下的作业等而开发的一款五轴机器人，其拥有1500MM臂展，最大负载可达8KG。多自由度的灵活主要用于五金冲压、压力铸造、涂装、热处理、塑料制品成型、机械加工、等领域。

防护等级高—IP54，防尘防水

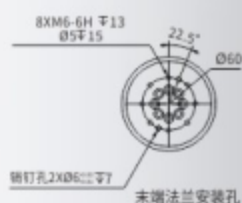
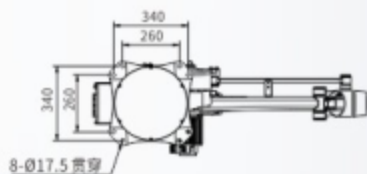
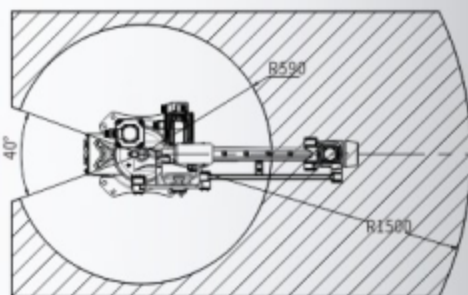
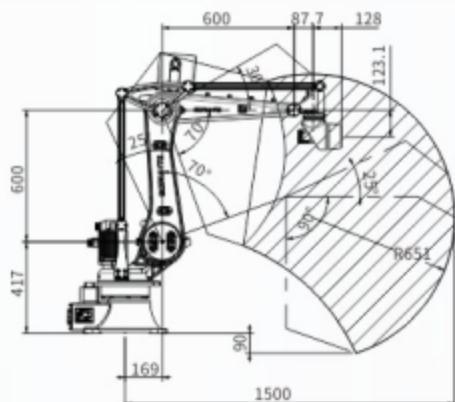
精度高—重复定位精度±0.05mm

BRTIRPC1508A robot is developed for some frequent and repeated work for a long time, or under the dangerous working environment, with 1500mm working dimension, maximum loading ability up to 8 kg; six axis freedom application mainly used for metal stamping, die casting, coating plastic products, injection molding machinery processing fields. Protection grade reaches IP54, dust-proof, waterproof, repetitive positioning accuracy of ±0.05 MM



主要规格 Main Specification

产品型号 Model	项目 Item	手臂 Arm			手腕 Wrist			臂展 Arm Length	负载 Loading ability	重复定位精度 Repeatability	电源容量 Power Source	本体重量 Net Weight
		J1	J2	J3	J4	J5	R34					
BRTIRPC1508A	臂展 Arm Length(mm)	地面-2轴距 417mm	2-3轴距 600mm	3-4轴距 600mm				1500mm	8KG	±0.05mm	3.9KVA	约140KG
	范围 Range(°)	±160°	-70°/+25°	-70°/+30°	±90°	±360°	60°/180°					
	最大速度 Max. Speed(#/s)	220°/S	220°/S	270°/S	410°/S	410°/S						



因改良等原因，规格及外观有所变更时，不再另行通知，敬请谅解。

Without further notice if specification and exterior have been changed because of improvement. Thanks for your understanding.