

# BRTB Series

## 伺服横走式机械手

### Economic AC Servo Traversing Robot

#### 产品特点 Product Features

BRTB06/07系列适用于30T-200T的各型卧式射出成型机的成品及水口取出。上下手臂结构是单载式，分单臂和双臂，各轴可选用电动调位，适合二/三板模取出。横行AC伺服马达驱动，定位精确、速度快、寿命长、故障低。安装机械手可增加产能（10-30%）、降低产品的不良率、保障操作人员的安全性、减少人工、精准的控制生产量、减少浪费、保证纳期。

BRTB06/07 Series is applicable to all types of horizontal injection machine ranges of 30T-200T for take-out products and sprues. Vertical arm is single type, with product arm and runner arm two types, suitable for two plate or three plate mold products take out. Traverse axis driven by AC servo motor. After installed this robot, the productivity will be increased 10-30%, reduce defective rate, ensure safety of operators, reduce manpower and accurately control the output to reduce waste.

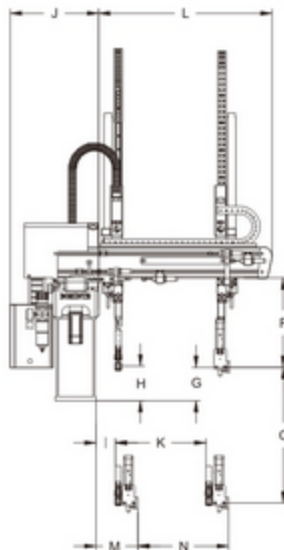
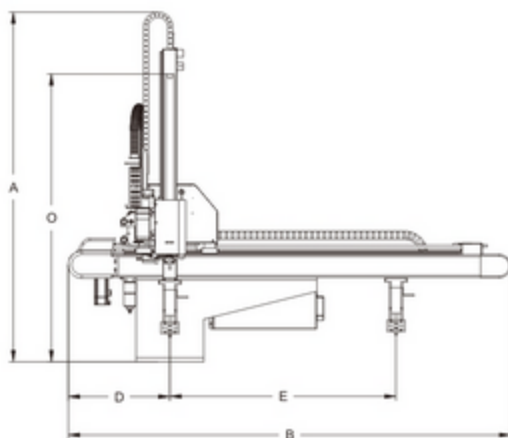


#### 主要规格 Main Specification

机型 Model	电源容量 (KVA) Power Source	适用成型机 (ton) Recommended M.M	横行行程 (mm) Traverse Stroke	驱动方式 Traverse Driven	引拔行程 (mm) Crosswise Stroke	上下行程 (mm) Vertical Stroke	最大荷载 (kg) Max. Loading	取出时间 (sec) Dry Take Out Time	全循环时间 (sec) Dry Cycle Time	空气消耗量 (lit/cycle) Air Consumption	净重 (KG) Net Weight
BRTB06 IDS1P0	0.6	30T-120T	1000	AC 伺服马达 AC Servo motor	P:300 R:125	600	3	1.67	7.35	4	176
BRTB07 IDS1P0		100T-200T	1200			700		1.85	8.39	5.5	195

机型表示：I：单载式 D：双臂机械手(成品臂+料头臂) S1：横行AC伺服马达驱动

Denote: I: Single stage D: Product arm + runner arm S1: AC Servo driven on traverse axis.



Model	A	B	C	D	E	F	G	H	I	J	K	L	M	N	O
BRTB06IDS1P0	1540	1980	600	450	1000	390	130	170	90	370	460	778	200	465	1270
BRTB07IDS1P0	1610	2160	700		1200						580	898			