

BRTA Series

伺服横走式机械手

Economic AC Servo Traversing Robot

产品特点 Product Features

BRTA07/09系列适用于80T-320T的各型卧式射出成型机的成品及水口取出。上下手臂结构是双载式，分单臂和双臂，适合二/三板模具产品取出。横行AC伺服马达驱动，定位精准，速度快，寿命长，故障低。安装机械手可增加产能(10-30%)、降低产品的不良率、保障操作人员的安全性、减少人工、精准控制生产量、减少浪费、保证交期。

BRTA07/09 Series traversing robot arm is applicable to all types of horizontal injection machine ranges of 80T-320T for take-out products and sprues. Vertical arm is telescopic type, with product arm and runner arm, for two plate or three plate mold products take out. Traverse axis driven by AC servo motor. After installed this robot, the productivity will be increased 10-30%, reduce defective rate, ensure safety of operators, reduce manpower and accurately control the output to reduce waste.

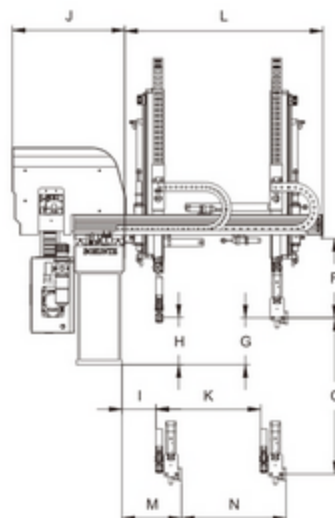
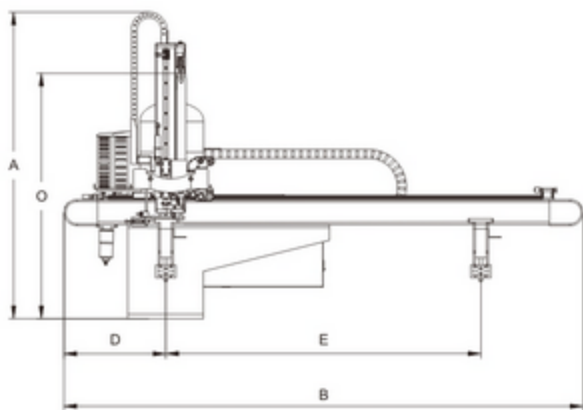


主要规格 Main Specification

机型 Model	电源容量 (KVA) Power Source	适用成型机 (ton) Recommended M.M	横行行程 (mm) Traverse Stroke	驱动方式 Traverse Driven	引拔行程 (mm) Crosswise Stroke	上下行程 (mm) Vertical Stroke	最大荷载 (kg) Max. Loading	取出时间 (sec) Dry Take Out Time	全循环时间 (sec) Dry Cycle Time	空气消耗量 (lit/cycle) Air Consumption	净重 (KG) Net Weight
BRTA07 WDS1P0	0.6	80T-200T	1250	AC 伺服马达 AC Servo motor	P:300 R:125	700	3	1.81	8.53	3.5	165
BRTA09 WDS1P0		200T-320T				900		1.90	9.8	4.2	205

机型表示: W: 双载式 D: 双臂机械手 (成品臂+料头臂) S1: 横行AC伺服马达驱动

Denote: W: Telescopic type D: Product arm + runner arm S1: AC Servo driven on traverse axis.



Model	A	B	C	D	E	F	G	H	I	J	K	L	M	N	O
BRTA07WDS1P0	1240	2060	700	405	1250	315	180	220	125	450	470	786	215	475	980
BRTA09WDS1P0	1360		900								590	907		595	1080